

# Technical Data Sheet

## PipeBloc PCP Collars

### UIC of product-type: PCP

Issue: 5.1  
Jan 2018



CE Certification  
Is Air Permeability  
Movement Rigid Walls  
Pipes Linear joints  
Is Acoustic Rating  
Trays Rigid Floors  
es CE Certification  
Air Permeability



CE Certific  
Penetration Seals  
Movement Rigid W  
Metallic Pipes Lin  
Flexible Walls Ac  
Cable Trays Rigid  
Plastic Pipes CE C  
Air Permeability



UAE Certificate of Compliance

دديت مل ا كيرخل ات ار ام ال ا تلود  
يولخ ادل ا تر ازو  
ين دمل ا ح ف د ل ل م اعن ا كد ل قول ا  
ي مل ا جل ات ا ر ي س ت خ مل ا د ا م ت ح ا ن ج ل  
بي ر ف ت ل ا د ه ا ح م و ت ر ي س ت خ ل ات و ت ي و



APPROVED  
CF5367



ETA 15-0489  
CE-1121-CPR-JA5080



FSi Limited  
Westminster Industrial Estate  
Tamworth Road  
Measham  
DE12 7DS  
UK

[www.fsiltd.com](http://www.fsiltd.com)  
Email: [technical@fsiltd.com](mailto:technical@fsiltd.com)  
Tel: +44 (0) 1530 515130  
Fax: +44 (0) 1530 273564





# Contents

| Contents                         | Page    |
|----------------------------------|---------|
| • Product Technical Data         | 1 - 2   |
| - Product Overview               |         |
| • Performance Data - Wall        | 3 - 5   |
| - 100mm Rigid and Flexible Walls |         |
| - 150mm Rigid and Flexible Walls |         |
| • Performance Data - Floor       | 6 - 10  |
| - 150mm Rigid Floor              |         |
| • Performance Data - Batt        | 11 - 16 |
| - 100mm Rigid and Flexible Walls |         |
| • Extended Scope of Works        | 17      |



# Product Technical Data

ETA 15-0489  
CE-1121-CPR-JA5080

## Product Overview

### The Description of the Product

PipeBloc PCP Collars are designed and tested to seal service penetration apertures containing plastic and metallic pipes with insulation or cables. They are developed to provide a high volume expansion and pressure seal during a fire. The PipeBloc PCP Collars offers EI120 and EI240 tested results to EN1366-3, the maximum diameter available being 250mm. The ultra thin design of PipeBloc PCP Collars means the collar shell can give a depth of 30mm and 40mm ensuring that they can be installed into the tightest of locations. PipeBloc PCP Collars can be installed on flexible wall, rigid wall, rigid floor constructions and in Stopseal Batt seals.

PipeBloc PCP Collars is used around combustible pipes to form a penetration seal and to reinstate the fire resistance performance of wall and floor constructions, where they have been provided with apertures for the penetration of combustible pipe services.

PipeBloc PCP Collars includes an intumescent component incorporated into a mild steel case to close any gaps and to provide a closure of combustible pipes when heated to prevent the passage of fire.

PipeBloc PCP Collars are supplied in assembled form, without fixings. The collar is wrapped around the pipe at the soffit or both faces of walls, depending on application.

### Intended Use

The specific elements of construction that the system PipeBloc PCP Collars may be used in as follows.

- Suitable for use with flexible walls with  $\geq 100$ mm minimum thickness, rigid wall with  $\geq 100$ mm minimum thickness and rigid floors with 150mm minimum thickness also within the Stopseal Batt system.

### Key Product Points

- Allows thermal and mechanical movement of pipe.
- Halogen free, contains no asbestos or ceramic and is environmentally friendly.
- Ease of fixing to suit location - 5 fixing types available.
- Not effected by fungus, vermin, rodents or moisture.
- Conditioned to Type X: -20°C to +70°C with accordance with EOTR 024 and Etag 026.



# Product Technical Data

ETA 15-0489  
CE-1121-CPR-JA5080

| Description                            | Result  | Test Standards |
|--|---|----------------|
| Pipe Diameter                          | 32mm, 40mm, 50mm, 55mm, 63mm, 75mm, 82mm, 90mm, 100mm, 110mm, 125mm, 140mm, 160mm, 200mm and 250mm  |                |
| Plastic types                          | PVC-U, PVC-C, ABS, SAN + PVC, PE-HD, PE, PP   |                |
| Fire Resistance Rigid Floors           | EI 240 - Floor (underside)  | EN 1366-3:2009 |
| Fire Resistance Flexible & Rigid Walls | EI 120 - Wall (one each side)   | EN 1366-3:2009 |
| Expansion Rate                         | 20:1  | EOTA TR 024    |
| Expansion Pressure N/mm <sup>2</sup>   | 1.30  | EOTA TR 024    |
| Working Temperature                    | -20°C to +120°C   |                |
| Colour / Appearance                    | Green Steel - 3 Fixing Tabs   |                |
| Fixing Detail                          | 3 No 60mm x 6mm Expanding Anchors Rigid Floors<br>3 No Size 70 Wood Screws Rigid Walls<br>3 No 65 mm Spider Fixings Flexible Walls<br>3 No 35mm Tap in Fixings Rigid Wall and Floors<br>3 No 80mm Pig tails for Batt installation |                |
| Expected Shelf Life                    | N/A   | N/A            |

## Installation

Ensure that the aperture and services in question are tested with PipeBloc PCP Collars, and the site conditions are within the application specification. An annular space needs to be present around the service to apply sufficient installation depth of Pyrocoustic Sealant.

All services and apertures need to be clean and clear of all dust and loose particles. The aperture temperature needs to be at 5°C or above at time of installation.

Upon installation make sure that you fill in the annular gap around the pipe maximum 10mm annular, install the PipeBloc PCP Collars around the pipe and fix the collar to the wall or floor with the recommended fixings.



# Performance Data - Walls

ETA 15-0489  
CE-1121-CPR-JA5080

## Substrates

The walls shall be a minimum of **100mm thick**. Drywalls shall comprise a minimum of 2 layers of 'Type F' Gypsum board on both faces, with minimum 50mm studs. Masonry / Concrete walls shall have a minimum density for concrete or brick of 780kg/m<sup>3</sup> and for aerated concrete blocks of 600kg/m<sup>3</sup>. All walls shall have at least the same fire resistance as that required for the sealing system.

## Service support requirements

Services should be rigidly supported via steel angles, hangers or channels, not further than 400mm from the surface of the sealing system on both faces on both faces of the wall and the top side of the floor unless specified otherwise in the performance data.

## Terminology

Fire performance in accordance with EN1366-3, EN1366-4, Classification 13501-2:2007 + A1:2009, ETAG-026, Air Permeability EN1026, Sound EN10140. Fire resistance classes are: E = Integrity, the product can withstand the fire from the non-fire side, I =Insulation, the product can withstand the temperature travelling down the service, U/U = Uncapped inside and outside the furnace, U/C = Uncapped inside and Capped outside the furnace, C/U = Capped inside and Uncapped outside the furnace.

## FLEXIBLE OR RIGID WALL

| PipeBloc PCP Collars, face fixed to both sides of the wall with a minimum thickness of 100mm PVC Pipes. |                             |                    |                |
|---|-----------------------------|--------------------|----------------|
| Penetration Specification   | Collar Reference            | Annulus Space (mm) | Classification |
| PVC Pipe 32mm ø 1.8mm wall thickness.   | 32 mm PipeBloc PCP Collars  | 10                 | EI 120 U/C     |
| PVC Pipe 40mm ø 1.8mm wall thickness.   | 40 mm PipeBloc PCP Collars  |                    |                |
| PVC Pipe 50mm ø 1.8mm wall thickness.   | 50 mm PipeBloc PCP Collars  |                    |                |
| PVC Pipe 55mm ø 2.3 - 3.0mm wall thickness.   | 55 mm PipeBloc PCP Collars  |                    |                |
| PVC Pipe 63mm ø 2.3 - 3.0mm wall thickness.   | 63 mm PipeBloc PCP Collars  |                    |                |
| PVC Pipe 75mm ø 3.1 - 4.8mm wall thickness.   | 75 mm PipeBloc PCP Collars  |                    |                |
| PVC Pipe 82mm ø 3.1 - 4.8mm wall thickness.   | 82 mm PipeBloc PCP Collars  |                    |                |
| PVC Pipe 90mm ø 4.2 - 7.4mm wall thickness.   | 90 mm PipeBloc PCP Collars  |                    |                |
| PVC Pipe 100mm ø 4.2 - 7.4mm wall thickness.  | 100 mm PipeBloc PCP Collars |                    |                |
| PVC Pipe 110mm ø 4.2 - 7.2mm wall thickness.  | 110 mm PipeBloc PCP Collars |                    |                |
| PVC Pipe 125mm ø 6.0mm wall thickness.  | 125 mm PipeBloc PCP Collars |                    |                |
| PVC Pipe 140mm ø 6.1 - 7.5mm wall thickness.  | 140 mm PipeBloc PCP Collars |                    |                |
| PVC Pipe 160mm ø 6.2 - 9.5mm wall thickness.  | 160 mm PipeBloc PCP Collars |                    |                |



# Performance Data - Walls

ETA 15-0489  
CE-1121-CPR-JA5080

## FLEXIBLE OR RIGID WALL

| PipeBloc PCP Collars, face fixed to both side of the wall with a minimum thickness of 100mm PP Pipes. |                             |                    |                |
|---|-----------------------------|--------------------|----------------|
| Penetration Specification   | Collar Reference            | Annulus Space (mm) | Classification |
| PP Pipe 32mm $\varnothing$ 2.9mm wall thickness.  | 32 mm PipeBloc PCP Collars  | 10                 | EI 120 U/C     |
| PP Pipe 40mm $\varnothing$ 2.9mm wall thickness.  | 40 mm PipeBloc PCP Collars  |                    |                |
| PP Pipe 50mm $\varnothing$ 2.9mm wall thickness.  | 50 mm PipeBloc PCP Collars  |                    |                |
| PP Pipe 55mm $\varnothing$ 2.9 - 4.4mm wall thickness.  | 55 mm PipeBloc PCP Collars  |                    |                |
| PP Pipe 63mm $\varnothing$ 2.9 - 4.4mm wall thickness.  | 63 mm PipeBloc PCP Collars  |                    |                |
| PP Pipe 75mm $\varnothing$ 2.8 - 6,7mm wall thickness.  | 75 mm PipeBloc PCP Collars  |                    |                |
| PP Pipe 82mm $\varnothing$ 2.8 - 6.7mm wall thickness.  | 82 mm PipeBloc PCP Collars  |                    |                |
| PP Pipe 90mm $\varnothing$ 2.7 - 10.0mm wall thickness.   | 90 mm PipeBloc PCP Collars  |                    |                |
| PP Pipe 100mm $\varnothing$ 2.7 - 10.0mm wall thickness.  | 100 mm PipeBloc PCP Collars |                    |                |
| PP Pipe 110mm $\varnothing$ 2.7 - 10.0mm wall thickness.  | 110 mm PipeBloc PCP Collars |                    |                |
| PP Pipe 125mm $\varnothing$ 3.1mm wall thickness.   | 125 mm PipeBloc PCP Collars |                    |                |
| PP Pipe 140mm $\varnothing$ 3.5 - 8.0mm wall thickness.   | 140 mm PipeBloc PCP Collars |                    |                |
| PP Pipe 160mm $\varnothing$ 4.0 -14.6mm wall thickness.   | 160 mm PipeBloc PCP Collars |                    |                |

| PipeBloc PCP Collars, face fixed to both sides of the wall with a minimum thickness of 100mm PE Pipes. |                             |                    |                |
|--|-----------------------------|--------------------|----------------|
| Penetration Specification  | Collar Reference            | Annulus Space (mm) | Classification |
| PE Pipe 32mm $\varnothing$ 2.9mm wall thickness.   | 32 mm PipeBloc PCP Collars  | 10                 | EI 120 U/C     |
| PE Pipe 40mm $\varnothing$ 2.9mm wall thickness.   | 40 mm PipeBloc PCP Collars  |                    |                |
| PE Pipe 50mm $\varnothing$ 2.9mm wall thickness.   | 50 mm PipeBloc PCP Collars  |                    |                |
| PE Pipe 55mm $\varnothing$ 2.9 - 4.4mm wall thickness.   | 55 mm PipeBloc PCP Collars  |                    |                |
| PE Pipe 63mm $\varnothing$ 2.9 - 4.4mm wall thickness.   | 63 mm PipeBloc PCP Collars  |                    |                |
| PE Pipe 75mm $\varnothing$ 2.8 - 6.7mm wall thickness.   | 75 mm PipeBloc PCP Collars  |                    |                |
| PE Pipe 82mm $\varnothing$ 2.8 - 6.7mm wall thickness.   | 82 mm PipeBloc PCP Collars  |                    |                |
| PE Pipe 90mm $\varnothing$ 2.7 - 10.0mm wall thickness.  | 90 mm PipeBloc PCP Collars  |                    |                |
| PE Pipe 100mm $\varnothing$ 2.7 - 10.0mm wall thickness.   | 100 mm PipeBloc PCP Collars |                    |                |
| PE Pipe 110mm $\varnothing$ 2.7 - 10.0mm wall thickness.   | 110 mm PipeBloc PCP Collars |                    |                |
| PE Pipe 125mm $\varnothing$ 3.1mm wall thickness.  | 125 mm PipeBloc PCP Collars |                    |                |
| PE Pipe 140mm $\varnothing$ 3.9 - 5.8mm wall thickness.  | 140 mm PipeBloc PCP Collars |                    |                |
| PE Pipe 160mm $\varnothing$ 4.9 - 9.5mm wall thickness.  | 160 mm PipeBloc PCP Collars |                    |                |



# Performance Data - Walls

ETA 15-0489  
CE-1121-CPR-JA5080

## RIGID WALL

PipeBloc PCP Collars, face fixed to both sides of the Rigid Wall with a minimum thickness of 100mm PP Pipes.

| Penetration Specification                         | Collar Reference            | Annulus Space (mm) | Classification |
|---|-----------------------------|--------------------|----------------|
| PP Pipe 110mm $\varnothing$ 2.7mm wall thickness. | 110 mm PipeBloc PCP Collars | 10                 | EI 120 U/U     |
| PP Pipe 160mm $\varnothing$ 4.0mm wall thickness. | 160 mm PipeBloc PCP Collars |                    | EI 120 U/U     |
| PP Pipe 250mm $\varnothing$ 6.2mm wall thickness. | 250 mm PipeBloc PCP Collars |                    | EI 120 U/C     |



# Performance Data - Floor

ETA 15-0489  
CE-1121-CPR-JA5080

## Substrates

The floors shall be a minimum of **150mm thick**. Masonry / Concrete floors shall have a minimum density for concrete or brick of 780kg/m<sup>3</sup> and for aerated concrete blocks of 600kg/m<sup>3</sup>. All floors shall have at least the same fire rating as that required for the Sealing system.

## Service support requirements

Services should be rigidly supported via steel angles, hangers or channels, not further than 400mm from the surface of the sealing system on both faces unless specified otherwise in the performance data.

## Terminology

Fire performance in accordance with EN1366-3, EN1366-4, Classification 13501-2:2007 + A1:2009, ETAG-026, Air Permeability EN1026, Sound EN10140. Fire resistance classes are: E = Integrity, the product can withstand the fire from the non-fire side, I =Insulation, the product can withstand the temperature travelling down the service, U/U = Uncapped inside and outside the furnace, U/C = Uncapped inside and Capped outside the furnace, C/U = Capped inside and Uncapped outside the furnace.

## RIGID FLOOR

| PipeBloc PCP Collars, face fixed on the underside of Rigid Floor with a minimum thickness of 150mm PVC Pipes. |                             |                    |                |
|---|-----------------------------|--------------------|----------------|
| Penetration Specification   | Collar Reference            | Annulus Space (mm) | Classification |
| PVC Pipe 32mm ø 1.8mm wall thickness.   | 32 mm PipeBloc PCP Collars  | 10                 | EI 240 U/C     |
| PVC Pipe 40mm ø 1.8mm wall thickness.   | 40 mm PipeBloc PCP Collars  |                    |                |
| PVC Pipe 50mm ø 1.8mm wall thickness.   | 50 mm PipeBloc PCP Collars  |                    |                |
| PVC Pipe 55mm ø 2.3 - 3.0mm wall thickness.   | 55 mm PipeBloc PCP Collars  |                    |                |
| PVC Pipe 63mm ø 2.3 - 3.0mm wall thickness.   | 63 mm PipeBloc PCP Collars  |                    |                |
| PVC Pipe 75mm ø 3.1 - 4.8mm wall thickness.   | 75 mm PipeBloc PCP Collars  |                    |                |
| PVC Pipe 82mm ø 3.1 - 4.8mm wall thickness.   | 82 mm PipeBloc PCP Collars  |                    |                |
| PVC Pipe 90mm 4.2 - 7.4mm wall thickness.   | 90 mm PipeBloc PCP Collars  |                    |                |
| PVC Pipe 100mm ø 4.2 - 7.4mm wall thickness.  | 100 mm PipeBloc PCP Collars |                    |                |
| PVC Pipe 110mm ø 4.2 - 7.2mm wall thickness.  | 110 mm PipeBloc PCP Collars |                    |                |
| PVC Pipe 125mm ø 6.0mm wall thickness.  | 125 mm PipeBloc PCP Collars |                    |                |
| PVC Pipe 140mm ø 6.1 - 7.5mm wall thickness.  | 140 mm PipeBloc PCP Collars |                    |                |
| PVC Pipe 160mm ø 6.2 - 9.5mm wall thickness.  | 160 mm PipeBloc PCP Collars |                    |                |





# Performance Data - Floor

ETA 15-0489  
CE-1121-CPR-JA5080

## RIGID FLOOR

| PipeBloc PCP Collars, face fixed on the underside of Rigid Floor with a minimum thickness of 150mm PP Pipes. |                             |                    |                |
|--|-----------------------------|--------------------|----------------|
| Penetration Specification  | Collar Reference            | Annulus Space (mm) | Classification |
| PP Pipe 32mm $\varnothing$ 2.9mm wall thickness.   | 32 mm PipeBloc PCP Collars  | 10                 | EI 240 U/C     |
| PP Pipe 40mm $\varnothing$ 2.9mm wall thickness.   | 40 mm PipeBloc PCP Collars  |                    |                |
| PP Pipe 50mm $\varnothing$ 2.9mm wall thickness.   | 50 mm PipeBloc PCP Collars  |                    |                |
| PP Pipe 55mm $\varnothing$ 2.9 - 4.4mm wall thickness.   | 55 mm PipeBloc PCP Collars  |                    |                |
| PP Pipe 63mm $\varnothing$ 2.9 - 4.4mm wall thickness.   | 63 mm PipeBloc PCP Collars  |                    |                |
| PP Pipe 75mm $\varnothing$ 2.8 - 6,7mm wall thickness.   | 75 mm PipeBloc PCP Collars  |                    |                |
| PP Pipe 82mm $\varnothing$ 2.8 - 6.7mm wall thickness.   | 82 mm PipeBloc PCP Collars  |                    |                |
| PP Pipe 90mm $\varnothing$ 2.7 - 10.0mm wall thickness.  | 90 mm PipeBloc PCP Collars  |                    |                |
| PP Pipe 100mm $\varnothing$ 2.7 - 10.0mm wall thickness.   | 100 mm PipeBloc PCP Collars |                    |                |
| PP Pipe 110mm $\varnothing$ 2.7 - 10.0mm wall thickness.   | 110 mm PipeBloc PCP Collars |                    |                |
| PP Pipe 125mm $\varnothing$ 3.1mm wall thickness.  | 125 mm PipeBloc PCP Collars |                    |                |
| PP Pipe 140mm $\varnothing$ 3.5 - 8.0mm wall thickness.  | 140 mm PipeBloc PCP Collars |                    |                |
| PP Pipe 160mm $\varnothing$ 4.0 -14.6mm wall thickness.  | 160 mm PipeBloc PCP Collars |                    |                |

| PipeBloc PCP Collars, face fixed on the underside of Rigid Floor with a minimum thickness of 150mm PE Pipes. |                             |                    |                |
|--|-----------------------------|--------------------|----------------|
| Penetration Specification  | Collar Reference            | Annulus Space (mm) | Classification |
| PE Pipe 32mm $\varnothing$ 2.9mm wall thickness.   | 32 mm PipeBloc PCP Collars  | 10                 | EI 240 U/C     |
| PE Pipe 40mm $\varnothing$ 2.9mm wall thickness.   | 40 mm PipeBloc PCP Collars  |                    |                |
| PE Pipe 50mm $\varnothing$ 2.9mm wall thickness.   | 50 mm PipeBloc PCP Collars  |                    |                |
| PE Pipe 55mm $\varnothing$ 2.9 - 4.4mm wall thickness.   | 55 mm PipeBloc PCP Collars  |                    |                |
| PE Pipe 63mm $\varnothing$ 2.9 - 4.4mm wall thickness.   | 63 mm PipeBloc PCP Collars  |                    |                |
| PE Pipe 75mm $\varnothing$ 2.8 - 6.7mm wall thickness.   | 75 mm PipeBloc PCP Collars  |                    |                |
| PE Pipe 82mm $\varnothing$ 2.8 - 6.7mm wall thickness.   | 82 mm PipeBloc PCP Collars  |                    |                |
| PE Pipe 90mm $\varnothing$ 2.7 - 10.0mm wall thickness.  | 90 mm PipeBloc PCP Collars  |                    |                |
| PE Pipe 100mm $\varnothing$ 2.7 - 10.0mm wall thickness.   | 100 mm PipeBloc PCP Collars |                    |                |
| PE Pipe 110mm $\varnothing$ 2.7 - 10.0mm wall thickness.   | 110 mm PipeBloc PCP Collars |                    |                |
| PE Pipe 125mm $\varnothing$ 3.1mm wall thickness.  | 125 mm PipeBloc PCP Collars |                    |                |
| PE Pipe 140mm $\varnothing$ 3.9 - 5.8mm wall thickness.  | 140 mm PipeBloc PCP Collars |                    |                |
| PE Pipe 160mm $\varnothing$ 4.9 - 9.5mm wall thickness.  | 160 mm PipeBloc PCP Collars |                    |                |



# Performance Data - Floor

ETA 15-0489  
CE-1121-CPR-JA5080

## RIGID FLOOR

| PipeBloc PCP Collars, face fixed on the underside of Rigid Floor with a minimum thickness of 150mm PP Pipes. |                            |                    |                |
|--|----------------------------|--------------------|----------------|
| Penetration Specification  | Collar Reference           | Annulus Space (mm) | Classification |
| PP Pipe 110mm $\varnothing$ 2.7mm wall thickness.  | 110mm PipeBloc PCP Collars | 10                 | EI 120 U/U     |
| PP Pipe 160mm $\varnothing$ 4.0mm wall thickness.  | 160mm PipeBloc PCP Collars |                    | EI 120 C/U     |

## SILVERSEAL HS COMPOUND

| PipeBloc PCP Collars, fixed to the underside of a Silverseal HS Compound floor with a minimum thickness of 100mm PE, ABS & SAN+PVC Pipes. |                                     |  |                            |         |   |  |                |
|---|-------------------------------------|--|----------------------------|---------|---|--|----------------|
| Aperture Size   | Seal Composition                    | Services   | Collar Reference           | Capping | Penetration Formation                           | Collar Fixing  | Classification |
| 750mm wide by 1400mm high   | 100mm thick Silverseal HS Compound. | PE Pipe 32mm $\varnothing$ 2.9mm Wall thickness.           | 32mm PipeBloc PCP Collars  | U/C     | Cluster Formation of Pipes with 0mm separation. | Fixed on both sides of wall with a 60mm anchor fixing. | EI 120 U/C     |
|   |                                     | PE Pipe 40mm $\varnothing$ 2.9mm Wall thickness.           | 40mm PipeBloc PCP Collars  |         |   |  |                |
|   |                                     | PE Pipe 50mm $\varnothing$ 2.9mm Wall thickness.           | 50mm PipeBloc PCP Collars  |         |   |  |                |
|   |                                     | PE Pipe 55mm $\varnothing$ 2.9mm - 4.4mm Wall thickness.   | 55mm PipeBloc PCP Collars  |         |   |  |                |
|   |                                     | PE Pipe 63mm $\varnothing$ 2.9mm - 4.4mm Wall thickness.   | 63mm PipeBloc PCP Collars  |         |   |  |                |
|   |                                     | PE Pipe 75mm $\varnothing$ 2.8mm - 6.7mm Wall thickness.   | 75mm PipeBloc PCP Collars  |         |   |  |                |
|   |                                     | PE Pipe 82mm $\varnothing$ 2.8mm - 6.7mm Wall thickness.   | 82mm PipeBloc PCP Collars  |         |   |  |                |
|   |                                     | PE Pipe 90mm $\varnothing$ 2.7mm - 10.0mm Wall thickness.  | 90mm PipeBloc PCP Collars  |         |   |  |                |
|   |                                     | PE Pipe 100mm $\varnothing$ 2.7mm - 10.0mm Wall thickness. | 100mm PipeBloc PCP Collars |         |   |  |                |
|   |                                     | PE Pipe 110mm $\varnothing$ 2.7mm - 10.0mm Wall thickness. | 110mm PipeBloc PCP Collars |         |   |  |                |
|   |                                     | PE Pipe 125mm $\varnothing$ 3.1mm Wall thickness.          | 125mm PipeBloc PCP Collars |         |   |  |                |
|   |                                     | PE Pipe 140mm $\varnothing$ 3.9mm - 5.8mm Wall thickness.  | 140mm PipeBloc PCP Collars |         |   |  |                |
|   |                                     | PE Pipe 160mm $\varnothing$ 4.9mm - 9.5mm Wall thickness.  | 160mm PipeBloc PCP Collars |         |   |  |                |



# Performance Data - Floor

ETA 15-0489  
CE-1121-CPR-JA5080

## SILVERSEAL HS COMPOUND

| PipeBloc PCP Collars, fixed to the underside of a Silverseal HS Compound floor with a minimum thickness of 100mm PP Pipes. |                                     |  |                            |         |   |  |                |
|--|-------------------------------------|--|----------------------------|---------|---|--|----------------|
| Aperture Size  | Seal Composition                    | Services                                       | Collar Reference           | Capping | Penetration Formation                           | Collar Fixing  | Classification |
| 750mm wide by 1400mm high  | 100mm thick Silverseal HS Compound. | PP Pipe 32mm Ø 2.9mm Wall thickness.           | 32mm PipeBloc PCP Collars  | U/C     | Cluster Formation of Pipes with 0mm separation. | Fixed on both sides of wall with a 60mm anchor fixing. | EI 120 U/C     |
|  |                                     | PP Pipe 40mm Ø 2.9mm Wall thickness.           | 40mm PipeBloc PCP Collars  |         |   |  |                |
|  |                                     | PP Pipe 50mm Ø 2.9mm Wall thickness.           | 50mm PipeBloc PCP Collars  |         |   |  |                |
|  |                                     | PP Pipe 55mm Ø 2.9mm - 4.4mm Wall thickness.   | 55mm PipeBloc PCP Collars  |         |   |  |                |
|  |                                     | PP Pipe 63mm Ø 2.9mm - 4.4mm Wall thickness.   | 63mm PipeBloc PCP Collars  |         |   |  |                |
|  |                                     | PP Pipe 75mm Ø 2.8mm - 6.7mm Wall thickness.   | 75mm PipeBloc PCP Collars  |         |   |  |                |
|  |                                     | PP Pipe 82mm Ø 2.8mm - 6.7mm Wall thickness.   | 82mm PipeBloc PCP Collars  |         |   |  |                |
|  |                                     | PP Pipe 90mm Ø 2.7mm - 10.0mm Wall thickness.  | 90mm PipeBloc PCP Collars  |         |   |  |                |
|  |                                     | PP Pipe 100mm Ø 2.7mm - 10.0mm Wall thickness. | 100mm PipeBloc PCP Collars |         |   |  |                |
|  |                                     | PP Pipe 110mm Ø 2.7mm - 10.0mm Wall thickness. | 110mm PipeBloc PCP Collars |         |   |  |                |
|  |                                     | PP Pipe 125mm Ø 3.1mm Wall thickness.          | 125mm PipeBloc PCP Collars |         |   |  |                |
|  |                                     | PP Pipe 140mm Ø 3.5mm - 8.0mm Wall thickness.  | 140mm PipeBloc PCP Collars |         |   |  |                |
|  |                                     | PP Pipe 160mm Ø 4.0mm - 14.6mm Wall thickness. | 160mm PipeBloc PCP Collars |         |   |  |                |



# Performance Data - Floor

ETA 15-0489  
CE-1121-CPR-JA5080

## SILVERSEAL HS COMPOUND

PipeBloc PCP Collars, fixed to the underside of a Silverseal HS Compound floor with a minimum thickness of 100mm PVC-U & PVC-C Pipes.

| Aperture Size             | Seal Composition                    | Services                                       | Collar Reference           | Capping | Penetration Formation                           | Collar Fixing  | Classification |
|---------------------------|-------------------------------------|--|----------------------------|---------|---|--|----------------|
| 750mm wide by 1400mm high | 100mm thick Silverseal HS Compound. | PVC Pipe 32mm Ø 1.8mm Wall thickness.          | 32mm PipeBloc PCP Collars  | U/C     | Cluster Formation of Pipes with 0mm separation. | Fixed on both sides of wall with a 60mm anchor fixing. | EI 120 U/C     |
|                           |                                     | PVC Pipe 40mm Ø 1.8mm Wall thickness.          | 40mm PipeBloc PCP Collars  |         |   |  |                |
|                           |                                     | PVC Pipe 50mm Ø 1.8mm Wall thickness.          | 50mm PipeBloc PCP Collars  |         |   |  |                |
|                           |                                     | PVC Pipe 55mm Ø 2.3mm - 3mm Wall thickness.    | 55mm PipeBloc PCP Collars  |         |   |  |                |
|                           |                                     | PVC Pipe 63mm Ø 2.3mm - 3mm Wall thickness.    | 63mm PipeBloc PCP Collars  |         |   |  |                |
|                           |                                     | PVC Pipe 75mm Ø 3.1mm - 4.8mm Wall thickness.  | 75mm PipeBloc PCP Collars  |         |   |  |                |
|                           |                                     | PVC Pipe 82mm Ø 3.1mm - 4.8mm Wall thickness.  | 82mm PipeBloc PCP Collars  |         |   |  |                |
|                           |                                     | PVC Pipe 90mm Ø 4.2mm - 7.4mm Wall thickness.  | 90mm PipeBloc PCP Collars  |         |   |  |                |
|                           |                                     | PVC Pipe 100mm Ø 4.2mm - 7.4mm Wall thickness. | 100mm PipeBloc PCP Collars |         |   |  |                |
|                           |                                     | PVC Pipe 110mm Ø 4.2mm - 7.4mm Wall thickness. | 110mm PipeBloc PCP Collars |         |   |  |                |
|                           |                                     | PVC Pipe 125mm Ø 6mm Wall thickness.           | 125mm PipeBloc PCP Collars |         |   |  |                |
|                           |                                     | PVC Pipe 140mm Ø 6.1mm - 7.5mm Wall thickness. | 140mm PipeBloc PCP Collars |         |   |  |                |
|                           |                                     | PVC Pipe 160mm Ø 6.2mm - 9.5mm Wall thickness. | 160mm PipeBloc PCP Collars |         |   |  |                |



# Performance Data - Batt

ETA 15-0489  
CE-1121-CPR-JA5080

## Substrates

The walls shall be a minimum of **100mm thick**. Drywalls shall comprise a minimum of 2 layers of 'Type F' Gypsum board on both faces, with minimum 50mm studs. Masonry / Concrete walls shall have a minimum density for concrete or brick of 780kg/m<sup>3</sup> and for aerated concrete blocks of 600kg/m<sup>3</sup>. All walls shall have at least the same fire resistance as that required for the sealing system.

## Service support requirements

Services should be rigidly supported via steel angles, hangers or channels, not further than 400mm from the surface of the sealing system on both faces of the wall and the top side of the floor unless specified otherwise in the performance data.

## Terminology

Fire performance in accordance with EN1366-3, EN1366-4, Classification 13501-2:2007 + A1:2009, ETAG-026, Air Permeability EN1026, Sound EN10140. Fire resistance classes are: E = Integrity, the product can withstand the fire from the non-fire side, I =Insulation, the product can withstand the temperature travelling down the service, U/U = Uncapped inside and outside the furnace, U/C = Uncapped inside and Capped outside the furnace, C/U = Capped inside and Uncapped outside the furnace.

## STOPSEAL BATT

| PipeBloc PCP Collars, face fixed onto Stopseal Batt in Flexible Wall with a minimum thickness of 100mm PE, ABS & SAN+PVC Pipes |   |  |                               |         |   |   |                |
|--|---|--|-------------------------------|---------|---|---|----------------|
| Aperture Size  | Seal Composition  | Services                                       | Collar Reference              | Capping | Penetration Formation                           | Collar Fixing   | Classification |
| 750mm wide by 1200mm high  | Double layer of 50mm thick 140kg/m <sup>3</sup> Stopseal Coated Batt. | PE Pipe 32mm Ø 2.9mm Wall thickness.           | 32mm<br>PipeBloc PCP Collars  | U/C     | Cluster Formation of Pipes with 0mm separation. | Fixed on both sides of wall with a 80mm Pig Tail Screw. | EI 120 U/C     |
|  |   | PE Pipe 40mm Ø 2.9mm Wall thickness.           | 40mm<br>PipeBloc PCP Collars  |         |   |   |                |
|  |   | PE Pipe 50mm Ø 2.9mm Wall thickness.           | 50mm<br>PipeBloc PCP Collars  |         |   |   |                |
|  |   | PE Pipe 55mm Ø 2.9mm - 4.4mm Wall thickness.   | 55mm<br>PipeBloc PCP Collars  |         |   |   |                |
|  |   | PE Pipe 63mm Ø 2.9mm - 4.4mm Wall thickness.   | 63mm<br>PipeBloc PCP Collars  |         |   |   |                |
|  |   | PE Pipe 75mm Ø 2.8mm - 6.7mm Wall thickness.   | 75mm<br>PipeBloc PCP Collars  |         |   |   |                |
|  |   | PE Pipe 82mm Ø 2.8mm - 6.7mm Wall thickness.   | 82mm<br>PipeBloc PCP Collars  |         |   |   |                |
|  |   | PE Pipe 90mm Ø 2.7mm - 10.0mm Wall thickness.  | 90mm<br>PipeBloc PCP Collars  |         |   |   |                |
|  |   | PE Pipe 100mm Ø 2.7mm - 10.0mm Wall thickness. | 100mm<br>PipeBloc PCP Collars |         |   |   |                |
|  |   | PE Pipe 110mm Ø 2.7mm - 10.0mm Wall thickness. | 110mm<br>PipeBloc PCP Collars |         |   |   |                |
|  |   | PE Pipe 125mm Ø 3.1mm Wall thickness.          | 125mm<br>PipeBloc PCP Collars |         |   |   |                |
|  |   | PE Pipe 140mm Ø 3.9mm - 5.8mm Wall thickness.  | 140mm<br>PipeBloc PCP Collars |         |   |   |                |
|  |   | PE Pipe 160mm Ø 4.9mm - 9.5mm Wall thickness.  | 160mm<br>PipeBloc PCP Collars |         |   |   |                |



# Performance Data - Batt

ETA 15-0489  
CE-1121-CPR-JA5080

## STOPSEAL BATT

PipeBloc PCP Collars, face fixed onto Stopseal Batt in Flexible Wall with a minimum thickness of 100mm PE, ABS & SAN+PVC Pipes

| Aperture Size                                 | Seal Composition   | Services                                       | Collar Reference           | Capping | Penetration Formation                           | Collar Fixing   | Classification |
|---|--|--|----------------------------|---------|---|---|----------------|
| 750mm wide by 1200mm high                     | Pattress installation of 50mm thick 140kg/m <sup>3</sup> Stopseal Coated Batt. | PE Pipe 32mm Ø 2.9mm Wall thickness.           | 32mm PipeBloc PCP Collars  | U/C     | Cluster Formation of Pipes with 0mm separation. | Fixed on both sides of wall with a 80mm Pig Tail Screw. | EI 120 U/C     |
|   |  | PE Pipe 40mm Ø 2.9mm Wall thickness.           | 40mm PipeBloc PCP Collars  |         |   |   |                |
|   |  | PE Pipe 50mm Ø 2.9mm Wall thickness.           | 50mm PipeBloc PCP Collars  |         |   |   |                |
|   |  | PE Pipe 55mm Ø 2.9mm - 4.4mm Wall thickness.   | 55mm PipeBloc PCP Collars  |         |   |   |                |
|   |  | PE Pipe 63mm Ø 2.9mm - 4.4mm Wall thickness.   | 63mm PipeBloc PCP Collars  |         |   |   |                |
|   |  | PE Pipe 75mm Ø 2.8mm - 6.7mm Wall thickness.   | 75mm PipeBloc PCP Collars  |         |   |   |                |
|   |  | PE Pipe 82mm Ø 2.8mm - 6.7mm Wall thickness.   | 82mm PipeBloc PCP Collars  |         |   |   |                |
|   |  | PE Pipe 90mm Ø 2.7mm - 10.0mm Wall thickness.  | 90mm PipeBloc PCP Collars  |         |   |   |                |
|   |  | PE Pipe 100mm Ø 2.7mm - 10.0mm Wall thickness. | 100mm PipeBloc PCP Collars |         |   |   |                |
|   |  | PE Pipe 110mm Ø 2.7mm - 10.0mm Wall thickness. | 110mm PipeBloc PCP Collars |         |   |   |                |
|   |  | PE Pipe 125mm Ø 3.1mm Wall thickness.          | 125mm PipeBloc PCP Collars |         |   |   |                |
|   |  | PE Pipe 140mm Ø 3.9mm - 5.8mm Wall thickness.  | 140mm PipeBloc PCP Collars |         |   |   |                |
| PE Pipe 160mm Ø 4.9mm - 9.5mm Wall thickness. | 160mm PipeBloc PCP Collars   |  |                            |         |   |   |                |



# Performance Data - Batt

ETA 15-0489  
CE-1121-CPR-JA5080

## STOPSEAL BATT

| PipeBloc PCP Collars, face fixed onto Stopseal Batt in Flexible Wall with a minimum thickness of 100mm PP Pipes. |   |  |                               |         |   |   |                |
|--|---|--|-------------------------------|---------|---|---|----------------|
| Aperture Size  | Seal Composition  | Services                                       | Collar Reference              | Capping | Penetration Formation                           | Collar Fixing   | Classification |
| 750mm wide by 1200mm high  | Double layer of 50mm thick 140kg/m <sup>3</sup> Stopseal Coated Batt. | PP Pipe 32mm Ø 2.9mm Wall thickness.           | 32mm<br>PipeBloc PCP Collars  | U/C     | Cluster Formation of Pipes with 0mm separation. | Fixed on both sides of wall with a 80mm Pig Tail Screw. | EI 120 U/C     |
|  |   | PP Pipe 40mm Ø 2.9mm Wall thickness.           | 40mm<br>PipeBloc PCP Collars  |         |   |   |                |
|  |   | PP Pipe 50mm Ø 2.9mm Wall thickness.           | 50mm<br>PipeBloc PCP Collars  |         |   |   |                |
|  |   | PP Pipe 55mm Ø 2.9mm - 4.4mm Wall thickness.   | 55mm<br>PipeBloc PCP Collars  |         |   |   |                |
|  |   | PP Pipe 63mm Ø 2.9mm - 4.4mm Wall thickness.   | 63mm<br>PipeBloc PCP Collars  |         |   |   |                |
|  |   | PP Pipe 75mm Ø 2.8mm - 6.7mm Wall thickness.   | 75mm<br>PipeBloc PCP Collars  |         |   |   |                |
|  |   | PP Pipe 82mm Ø 2.8mm - 6.7mm Wall thickness.   | 82mm<br>PipeBloc PCP Collars  |         |   |   |                |
|  |   | PP Pipe 90mm Ø 2.7mm - 10.0mm Wall thickness.  | 90mm<br>PipeBloc PCP Collars  |         |   |   |                |
|  |   | PP Pipe 100mm Ø 2.7mm - 10.0mm Wall thickness. | 100mm<br>PipeBloc PCP Collars |         |   |   |                |
|  |   | PP Pipe 110mm Ø 2.7mm - 10.0mm Wall thickness. | 110mm<br>PipeBloc PCP Collars |         |   |   |                |
|  |   | PP Pipe 125mm Ø 3.1mm Wall thickness.          | 125mm<br>PipeBloc PCP Collars |         |   |   |                |
|  |   | PP Pipe 140mm Ø 3.5mm - 8.0mm Wall thickness.  | 140mm<br>PipeBloc PCP Collars |         |   |   |                |
|  |   | PP Pipe 160mm Ø 4.0mm - 14.6mm Wall thickness. | 160mm<br>PipeBloc PCP Collars |         |   |   |                |



# Performance Data - Batt

ETA 15-0489  
CE-1121-CPR-JA5080

## STOPSEAL BATT

| PipeBloc PCP Collars, face fixed onto Stopseal Batt in Flexible Wall with a minimum thickness of 100mm PP Pipes |  |  |                            |         |   |   |                |
|---|--|--|----------------------------|---------|---|---|----------------|
| Aperture Size   | Seal Composition   | Services                                       | Collar Reference           | Capping | Penetration Formation                           | Collar Fixing   | Classification |
| 750mm wide by 1200mm high   | Pattress installation of 50mm thick 140kg/m <sup>3</sup> Stopseal Coated Batt. | PP Pipe 32mm Ø 2.9mm Wall thickness.           | 32mm PipeBloc PCP Collars  | U/C     | Cluster Formation of Pipes with 0mm separation. | Fixed on both sides of wall with a 80mm Pig Tail Screw. | EI 120 U/C     |
|   |  | PP Pipe 40mm Ø 2.9mm Wall thickness.           | 40mm PipeBloc PCP Collars  |         |   |   |                |
|   |  | PP Pipe 50mm Ø 2.9mm Wall thickness.           | 50mm PipeBloc PCP Collars  |         |   |   |                |
|   |  | PP Pipe 55mm Ø 2.9mm - 4.4mm Wall thickness.   | 55mm PipeBloc PCP Collars  |         |   |   |                |
|   |  | PP Pipe 63mm Ø 2.9mm - 4.4mm Wall thickness.   | 63mm PipeBloc PCP Collars  |         |   |   |                |
|   |  | PP Pipe 75mm Ø 2.8mm - 6.7mm Wall thickness.   | 75mm PipeBloc PCP Collars  |         |   |   |                |
|   |  | PP Pipe 82mm Ø 2.8mm - 6.7mm Wall thickness.   | 82mm PipeBloc PCP Collars  |         |   |   |                |
|   |  | PP Pipe 90mm Ø 2.7mm - 10.0mm Wall thickness.  | 90mm PipeBloc PCP Collars  |         |   |   |                |
|   |  | PP Pipe 100mm Ø 2.7mm - 10.0mm Wall thickness. | 100mm PipeBloc PCP Collars |         |   |   |                |
|   |  | PP Pipe 110mm Ø 2.7mm - 10.0mm Wall thickness. | 110mm PipeBloc PCP Collars |         |   |   |                |
|   |  | PP Pipe 125mm Ø 3.1mm Wall thickness.          | 125mm PipeBloc PCP Collars |         |   |   |                |
|   |  | PP Pipe 140mm Ø 3.5mm - 8.0mm Wall thickness.  | 140mm PipeBloc PCP Collars |         |   |   |                |
|   |  | PP Pipe 160mm Ø 4.0mm - 14.6mm Wall thickness. | 160mm PipeBloc PCP Collars |         |   |   |                |





# Performance Data - Batt

ETA 15-0489  
CE-1121-CPR-JA5080

## STOPSEAL BATT

PipeBloc PCP Collars, face fixed onto Stopseal Batt in Flexible Wall with a minimum thickness of 100mm PVC-U & PVC-C Pipes

| Aperture Size             | Seal Composition  | Services                                       | Collar Reference           | Capping | Penetration Formation                           | Collar Fixing   | Classification |
|---------------------------|---|--|----------------------------|---------|---|---|----------------|
| 750mm wide by 1200mm high | Double layer of 50mm thick 140kg/m <sup>3</sup> Stopseal Coated Batt. | PVC Pipe 32mm Ø 1.8mm Wall thickness.          | 32mm PipeBloc PCP Collars  | U/C     | Cluster Formation of Pipes with 0mm separation. | Fixed on both sides of wall with a 80mm Pig Tail Screw. | EI 120 U/C     |
|                           |   | PVC Pipe 40mm Ø 1.8mm Wall thickness.          | 40mm PipeBloc PCP Collars  |         |   |   |                |
|                           |   | PVC Pipe 50mm Ø 1.8mm Wall thickness.          | 50mm PipeBloc PCP Collars  |         |   |   |                |
|                           |   | PVC Pipe 55mm Ø 2.3mm - 3mm Wall thickness.    | 55mm PipeBloc PCP Collars  |         |   |   |                |
|                           |   | PVC Pipe 63mm Ø 2.3mm - 3mm Wall thickness.    | 63mm PipeBloc PCP Collars  |         |   |   |                |
|                           |   | PVC Pipe 75mm Ø 3.1mm - 4.8mm Wall thickness.  | 75mm PipeBloc PCP Collars  |         |   |   |                |
|                           |   | PVC Pipe 82mm Ø 3.1mm - 4.8mm Wall thickness.  | 82mm PipeBloc PCP Collars  |         |   |   |                |
|                           |   | PVC Pipe 90mm Ø 4.2mm - 7.4mm Wall thickness.  | 90mm PipeBloc PCP Collars  |         |   |   |                |
|                           |   | PVC Pipe 100mm Ø 4.2mm - 7.4mm Wall thickness. | 100mm PipeBloc PCP Collars |         |   |   |                |
|                           |   | PVC Pipe 110mm Ø 4.2mm - 7.4mm Wall thickness. | 110mm PipeBloc PCP Collars |         |   |   |                |
|                           |   | PVC Pipe 125mm Ø 6mm Wall thickness.           | 125mm PipeBloc PCP Collars |         |   |   |                |
|                           |   | PVC Pipe 140mm Ø 6.1mm - 7.5mm Wall thickness. | 140mm PipeBloc PCP Collars |         |   |   |                |
|                           |   | PVC Pipe 160mm Ø 6.2mm - 9.5mm Wall thickness. | 160mm PipeBloc PCP Collars |         |   |   |                |



# Performance Data - Batt

ETA 15-0489  
CE-1121-CPR-JA5080

## STOPSEAL BATT

| PipeBloc PCP Collars, face fixed onto Stopseal Batt in Flexible Wall with a minimum thickness of 100mm PVC-U & PVC-C Pipes |  |  |                            |         |   |   |                |
|--|--|--|----------------------------|---------|---|---|----------------|
| Aperture Size  | Seal Composition   | Services                                       | Collar Reference           | Capping | Penetration Formation                           | Collar Fixing   | Classification |
| 750mm wide by 1200mm high  | Pattress installation of 50mm thick 140kg/m <sup>3</sup> Stopseal Coated Batt. | PVC Pipe 32mm Ø 1.8mm Wall thickness.          | 32mm PipeBloc PCP Collars  | U/C     | Cluster Formation of Pipes with 0mm separation. | Fixed on both sides of wall with a 80mm Pig Tail Screw. | EI 120 U/C     |
|  |  | PVC Pipe 40mm Ø 1.8mm Wall thickness.          | 40mm PipeBloc PCP Collars  |         |   |   |                |
|  |  | PVC Pipe 50mm Ø 1.8mm Wall thickness.          | 50mm PipeBloc PCP Collars  |         |   |   |                |
|  |  | PVC Pipe 55mm Ø 2.3mm - 3mm Wall thickness.    | 55mm PipeBloc PCP Collars  |         |   |   |                |
|  |  | PVC Pipe 63mm Ø 2.3mm - 3mm Wall thickness.    | 63mm PipeBloc PCP Collars  |         |   |   |                |
|  |  | PVC Pipe 75mm Ø 3.1mm - 4.8mm Wall thickness.  | 75mm PipeBloc PCP Collars  |         |   |   |                |
|  |  | PVC Pipe 82mm Ø 3.1mm - 4.8mm Wall thickness.  | 82mm PipeBloc PCP Collars  |         |   |   |                |
|  |  | PVC Pipe 90mm Ø 4.2mm - 7.4mm Wall thickness.  | 90mm PipeBloc PCP Collars  |         |   |   |                |
|  |  | PVC Pipe 100mm Ø 4.2mm - 7.4mm Wall thickness. | 100mm PipeBloc PCP Collars |         |   |   |                |
|  |  | PVC Pipe 110mm Ø 4.2mm - 7.4mm Wall thickness. | 110mm PipeBloc PCP Collars |         |   |   |                |
|  |  | PVC Pipe 125mm Ø 6mm Wall thickness.           | 125mm PipeBloc PCP Collars |         |   |   |                |
|  |  | PVC Pipe 140mm Ø 6.1mm - 7.5mm Wall thickness. | 140mm PipeBloc PCP Collars |         |   |   |                |
|  |  | PVC Pipe 160mm Ø 6.2mm - 9.5mm Wall thickness. | 160mm PipeBloc PCP Collars |         |   |   |                |



# Extended Scope of Works

ETA 15-0489  
CE-1121-CPR-JA5080

## Direct field of application – DiAP and Extended Field of Application- EXAP

DiAP and EXAP rules are an output from European harmonization of fire testing methods, classifications and product standards where applicable. At a national level, experienced persons or fire test organisations have previously provided assessments of expected performance based on expert judgement and opinion, however these rules allow interpretation through the specific EN 1366 test standard.

DiAP and EXAP rules are provided in the EN 1366 and EN 15882 test standards series. They are derived from information obtained from tests carried out in accordance with relevant EN 1366 tests at recognised laboratories in Europe. The test results achieved by a particular design may be directly applied to a limited number of variations without recourse to expert advice, providing the design remains substantially as tested. EXAPs shall be based on primary test evidence to a specific part of the EN 1366 series and may be supplemented by appropriate test evidence generated from other sources, or other relevant historical data. The EXAP rules consider changes in the tested design beyond the scope of direct application and may also consider variations to the tested design.

### Direct field of application - DiAP

Fire Stopping systems of this type are often complicated by extensive changes in modern buildings and their influence on the fire hazard should be considered carefully. The fire hazard can be reduced by providing penetration seals at the points where the services pass through fire separating elements (walls/floors).

The impact of fire on a construction or service system can vary considerably. A strict scientific approach to the problem of adequate testing of a sealing system would, therefore, be to design a series of tests each of which corresponds to a specified fire situation and arrangement. However, such an approach would probably fail due to its economic consequences, as tests of this type are very timeconsuming and costly. The method of test described in the EN 1366 series has therefore been designed with the intention of covering a wide range of fire situations in a minimum of tests. To allow a wider field of application, standard configurations are defined on the basis of general experience and historic data wherever possible. As frequently a number of influencing parameters was considered when defining the standard configurations, not all of which may be addressed explicitly in the field of direct application rules (e.g. metalscreen of cables). To allow nevertheless flexibility a modular approach was taken as far as possible so that various combinations of standard configuration elements can be used to fit the needs of the user.

Where a nonstandard configuration was used, the field of application is restricted to what was tested, however the field of direct application rules given in the various parts of the EN 1366 series may be applied, subject to deviating rules given in the annexes of each part. Rules cover supporting construction, orientation, penetrating services, service supports, penetration seal size, distances and overall configurations of penetration seal materials and services to be included.

### Extended Field of Application- EXAP

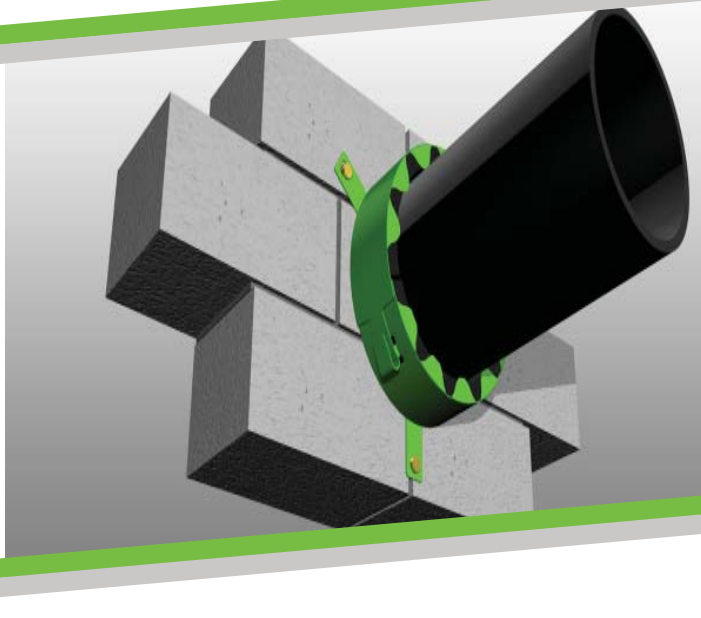
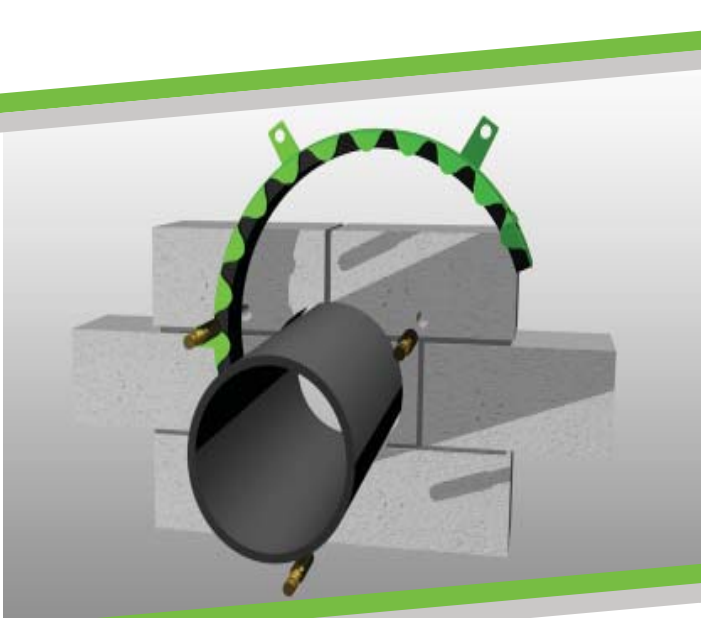
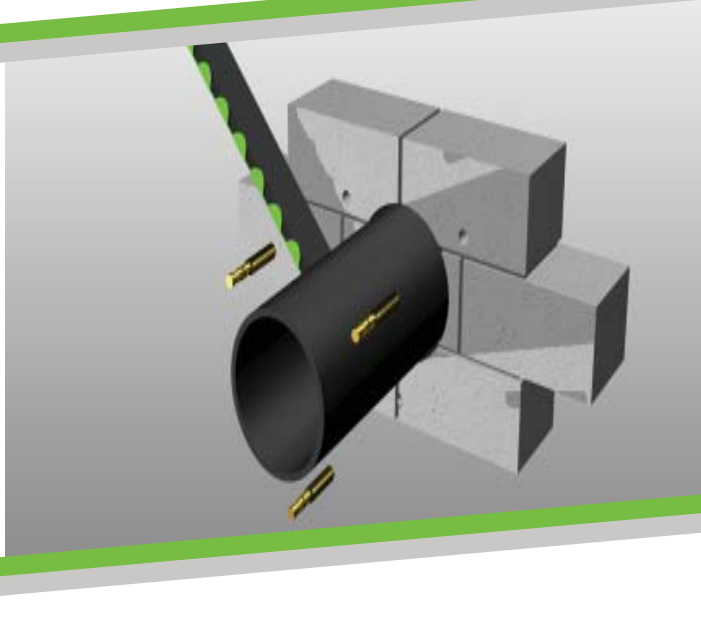
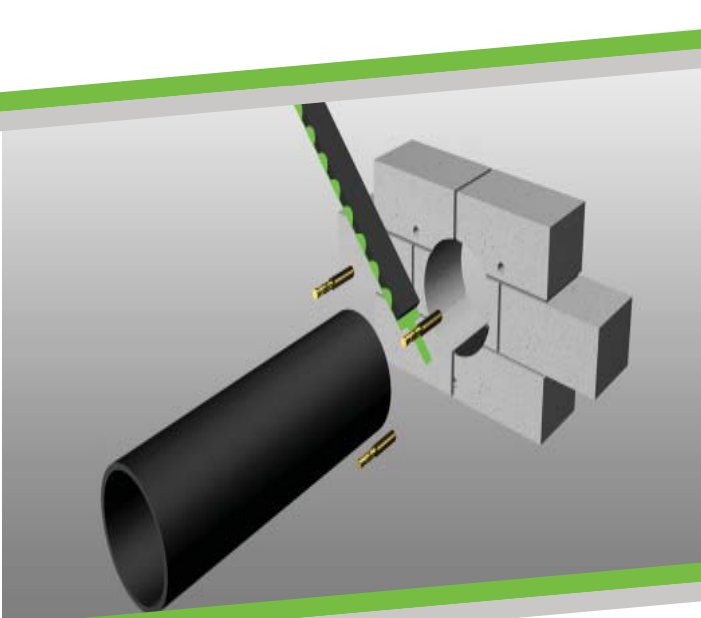
The purpose EXAP document is to provide the principles and guidance for the preparation of extended application documents for penetration sealing systems tested in accordance with the EN 1366 and EN 15882 series. The field of the extended application document is additional to the direct field of application given within the relevant part of EN 1366 and may be applied to or based on a single test, or a number of tests, which provide the relevant information for the formulation of an extended application.

There are a number of practical limitations on the size and design of elements that can be tested by the standard methods of fire resistance test. When these elements are required to be larger, or are of a modified design, there is a necessity to be able to confirm their performance, without the ability of being able to test them. To achieve this, extended application documents for the various elements are used.

Due to the diverse nature of materials and constructions used to seal openings in fire resistant separating elements it has been necessary to separate the extended application principles into generic seal types within the specific EXAP EN 15882 series. Often more than one variation is to be incorporated, should this be the case the overall effect shall be considered. Principles common to all generic seal types are given in the EXAP and rules for each specific generic seal type are given. The Annex provide rules for the application of test results and provides information relating to the extended application of those test results on for service penetrations.

Variables for each seal type, which require consideration included are as follows:

- 1) Separating element;
- 2) Type of service;
- 3) Size of service;
- 4) Seal size and configuration
- 5) Material changes (components or formulation) – comparison test approach, reduced test program
- 6) Orientation
- 7) Penetration seals at the head of walls (like a linear joint) – consider the issue of movement
- 8) Penetration seals at slab edges (like a linear joint) – consider the issue of movement
- 9) Distances of penetration seals to other openings in the separating element e.g. doors



FSi has Technical Representatives who provide assistance in the selection and specification of FSi products. For more information, specification and technical advice please call our Head Office on Tel: +44 (0) 1530 515130. Guarantee / Warranty: FSi products are manufactured to rigid standards of quality. Any product which has been applied in accordance with FSi's written instructions and in any application recommended by FSi, but which is proved to be defective in product quality, will be replaced free of charge. No liability can be accepted for the information provided in this document although it is published in good faith and believed to be correct. FSi Limited reserves the right to alter product specifications without prior notice, in line with our Company policy of continuous development and improvement.