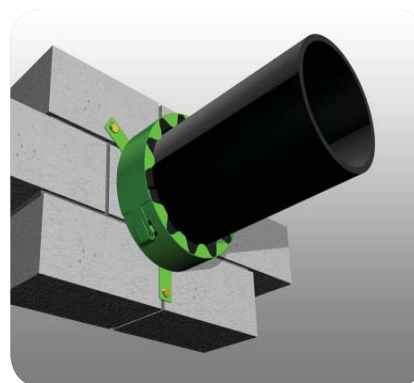


Product name	Pipebloc PCP
Product Code	PCP
Revision Date	15/11/2016
Revision number	02
UIC	PCP


Section 1: Identification of the substance/mixture and of the company / undertaking

1.1 Product identifier

Product name	Pipebloc PCP
Product Code	PCP


1.2. Relevant identified uses of the substance or mixture and uses advised against

1.3. Details of the supplier of the safety data sheet

Company Name	FSi Limited, Westminster Industrial Estate, Tamworth Road, Measham, DE12 7DS. U.K.
Tel	(0) 44 1530 515130
Fax	(0) 44 1530 273564
Email	sales@fsiltd.com


1.4. Emergency telephone number
Section 2: Classification of the substance or mixture

2.1. Classification of the substance or mixture

Classification under CLP	This product has no classification under CLP
---------------------------------	--


2.2. Label elements

Label elements	This product has no label elements
-----------------------	------------------------------------



2.3. Other hazards

PBT | This Product is not identified as PBT/vPvB substance

Section 3 Composition/information on ingredients



3.2. Mixtures

Section 4: First aid measures



4.1. Description of first aid measures

Skin contact	Wash immediately with plenty of soap and water
Eye contact	Bathe the eye with running water for 15 minutes
Ingestion	Wash out mouth with water
Inhalation	Consult a doctor



4.2. Most important symptoms and effects, both acute and delayed

Skin contact	There may be mild irritation at the site of contact
Eye contact	There may be irritation and redness
Ingestion	There may be irritation of the throat
Inhalation	There may be irritation of the throat with a feeling of tightness in the chest



4.3. Indication of any immediate medical attention and special treatment needed

Immediate/special treatment | Not applicable

Section 5: Fire-Fighting measures



5.1. Extinguishing media

Extinguishing Media | Suitable extinguishing media for the surrounding fire should be used



5.2. Special hazards arising from the substance or mixture

Exposure hazards | In combustion emits toxic fumes



5.3. Advice for fire-fighters

Advice for fire-fighters | Wear self-contained breathing apparatus. Wear protective clothing to prevent contact with skin and eyes

Section 6: Accidental release measures



6.1. Personal precautions, protective equipment and emergency procedures

Personal precautions | Refer to section 8 of SDS for personal protection details



6.2. Environmental precautions

Environmental | Do not discharge into drains or rivers



6.3. Methods and materials for containment and cleaning up

Clean-up procedures | Wash the spillage site with large amounts of water



6.4. Reference to other sections

Reference to other sections | Refer to section 8 of SDS

Section 7: Handling and storage



7.1. Precautions for safe handling

Handling requirements | Avoid the formation or spread of dust in the air



7.2. Conditions for safe storage, including any incompatibilities

Storage conditions | Store in a cool, well ventilated area



7.3. Specific end use(s)

Specific end use(s) | No data available

Section 8: Control parameters



8.1. Control parameters

Workplace exposure limits | No data available



8.1. DNEL/PNEC

DNEL/PNEC	No data available
------------------	-------------------



8.2. Exposure controls

Respiratory protection	Respiratory protective device with particle filter
Hand protection	Protective gloves
Eye protection	Safety glasses. Ensure eye bath is to hand
Skin protection	Protective clothing

Section 9: Physical and chemical properties



9.1. Information on basic physical and chemical properties

State	Solid
Odour	Odourless



9.2. Other information

Other information	No data available
--------------------------	-------------------

Section 10: Stability and reactivity



10.1. Reactivity

Reactivity	Stable under recommended transport or storage conditions
-------------------	--



10.2. Chemical stability

Chemical stability	Stable under normal conditions
---------------------------	--------------------------------



10.3. Possibility of hazardous reactions

Hazardous reactions	Hazardous reactions will not occur under normal transport or storage conditions. Decomposition may occur on exposure to conditions or materials
----------------------------	--



10.4. Conditions to avoid

Conditions to avoid	Heat
----------------------------	------



10.5. Incompatible materials

Materials to avoid | Strong oxidising agents. Strong acids



10.6. Hazardous decomposition products

Haz. decomp. products | In combustion emits toxic fumes

Section 11: Toxicological information



11.1. Information on toxicological effects

Toxicity values | No data available



Symptoms/routes of exposure

Skin contact | There may be mild irritation at the site of contact

Eye contact | There may be irritation and redness

Ingestion | There may be irritation of the throat

Inhalation | There may be irritation of the throat with a feeling of tightness in the chest

Section 12: Ecological information



12.1. Toxicity

Ecotoxicity values | No data available



12.2. Persistence and degradability

Persistence and degradability | Biodegradable



12.3. Bioaccumulative potential

Bioaccumulative potential | No bioaccumulation potential



12.4. Mobility in soil



12.5. Results of PBT and vPvB assessment

PBT identification | This product is not identified as a PBT/vPvB substance



12.6. Other adverse effects

Other adverse effects	Negligible ecotoxicity
------------------------------	------------------------

Section 13: Disposal considerations



13.1. Waste treatment methods

NB	The users attention is drawn to the possible existence of regional or national regulations regarding disposal
-----------	---

Section 14: Transport information

Transport class	This product does not require a classification for transport
------------------------	--

Section 15: Regulatory information



15.1. Safety, health and environmental regulations/legislation specific for the substance or mixture

Specific regulations	Not applicable
-----------------------------	----------------



15.2. Chemical Safety Assessment

Section 16: Other information



Other information

Other information	This safety data sheet is prepared in accordance with Commission Regulation (EU) No 453/2010.
--------------------------	---

* indicates text in the SDS which has changed since the last revision.

Legal disclaimer	The above information is believed to be correct but does not purport to be all inclusive and shall be used only as a guide. This company shall not be held liable for any damage resulting from handling or from contact with the above product.
-------------------------	--