

# WBO - WVS - WHO



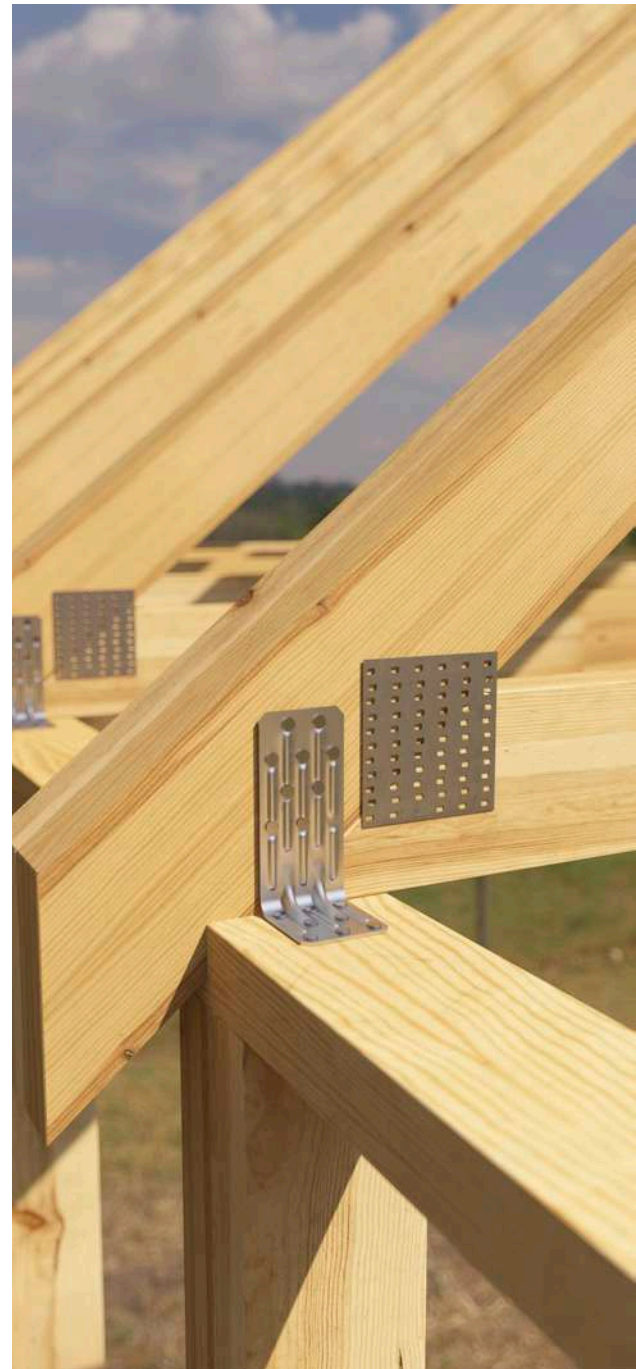
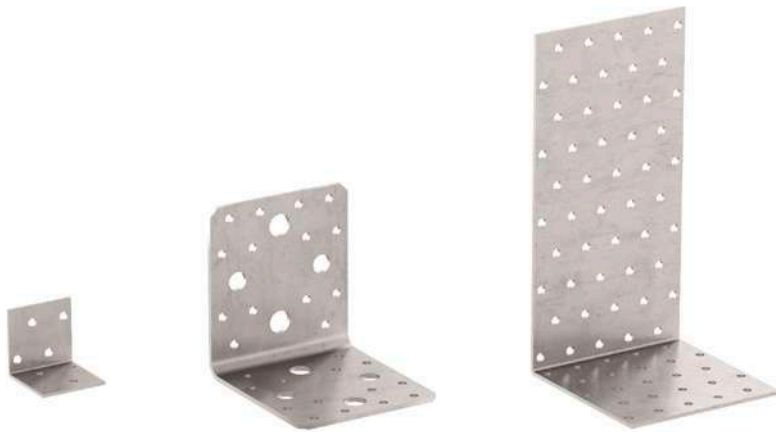
## VARIOUS ANGLE BRACKETS

### DIMENSIONS

Various shapes and sizes are available for all manner of applications.

### CERTIFICATION

Suitability of use is guaranteed by the CE marking according to ETA.



### CHARACTERISTICS

FOCUS	versatile fastening
HEIGHT	from 40 to 200 mm
THICKNESS	from 2,0 to 4,0 mm
FASTENERS	LBA, LBS, SKR



### MATERIAL

Bright zinc plated carbon steel three dimensional perforated plate.

### FIELD OF USE

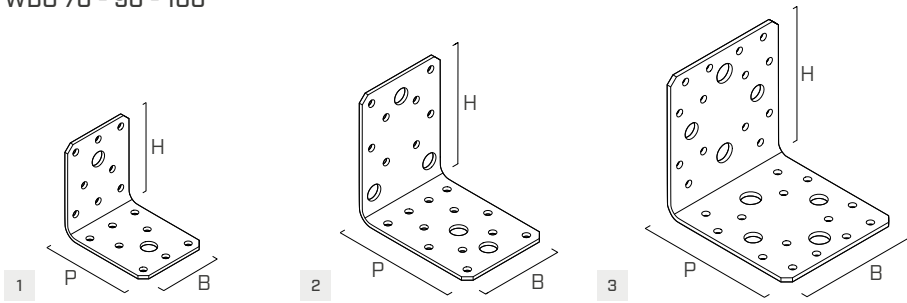
Timber-to-timber and timber-to-concrete joints solid timber and glulam


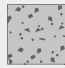
- CLT, LVL
- framed structures (platform frame)
- timber based panels

## CODES AND DIMENSIONS

### WBO 70 - 90 - 100

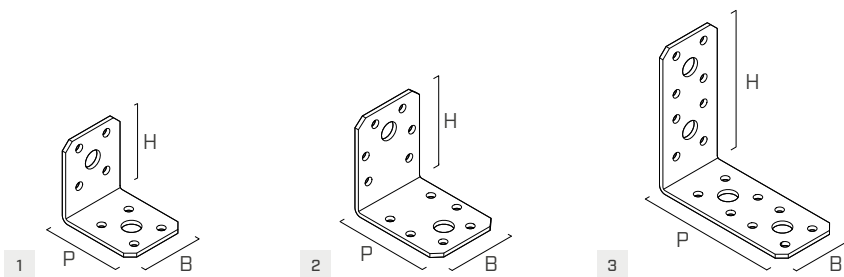
S250  
GALV


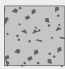


CODE	B [mm]	P [mm]	H [mm]	s [mm]	n Ø5 pcs	n Ø11 pcs	n Ø13 pcs			pcs
1 WBO070	55	70	70	2,0	16	2	-	●	●	100
2 WBO090	65	90	90	2,5	20	5	-	●	●	100
3 WBO100	90	100	100	3,0	28	6	2	●	●	50

### WBO 50 - 60 - 90

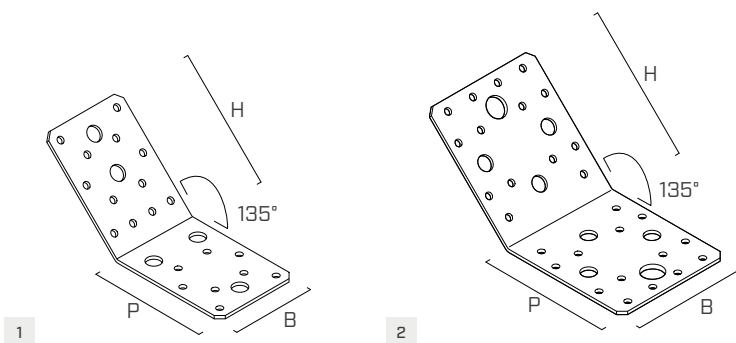
S250  
GALV





CODE	B [mm]	P [mm]	H [mm]	s [mm]	n Ø5 pcs	n Ø11 pcs			pcs
1 WBO5040	40	50	50	2,5	8	2	●	●	150
2 WBO6045	45	60	60	2,5	12	2	●	●	50
3 WBO9040	40	90	90	3,0	16	4	●	●	100

### WBO 135°

S250  
GALV

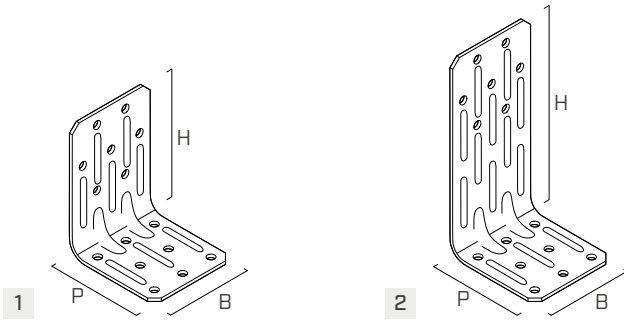


CODE	B [mm]	P [mm]	H [mm]	s [mm]	n Ø5 pcs	n Ø11 pcs	n Ø13 pcs			pcs
1 WBO13509	65	90	90	2,5	20	5	-	●	●	100
2 WBO13510	90	100	100	3,0	28	6	2	●	●	40

## CODES AND DIMENSIONS

### WVS 80 - 120

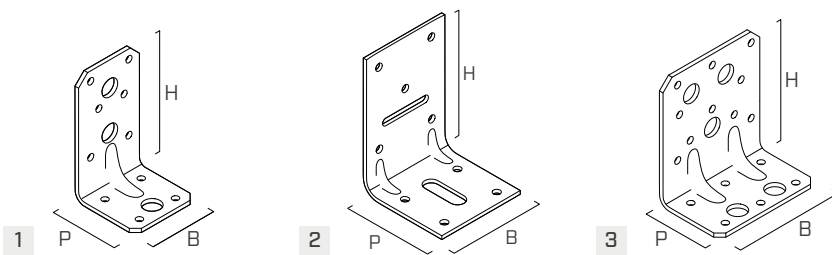
S250  
GALV


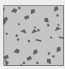


CODE	B	P	H	s	n Ø5			pcs
	[mm]	[mm]	[mm]	[mm]	pcs			
1 WVS8060	55	60	80	2,0	15	●	-	100
2 WVS12060	55	60	120	2,0	15	●	-	100

### WVS 90

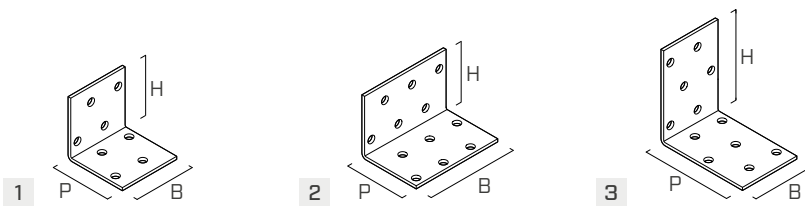
S250  
GALV


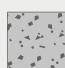


CODE	B	P	H	s	n Ø5	n Ø13	n Ø <sub>v</sub>	n Ø <sub>H</sub>			pcs
	[mm]	[mm]	[mm]	[mm]	pcs	pcs	pcs	pcs			
1 WVS9050	50	50	90	3,0	10	3	-	-	●	●	100
2 WVS9060	60	60	90	2,5	9	-	1 - Ø5 x 30	1 - Ø10 x 30	●	-	100
3 WVS9080	80	50	90	3,0	16	5	-	-	●	●	100

### WHO 40 - 60

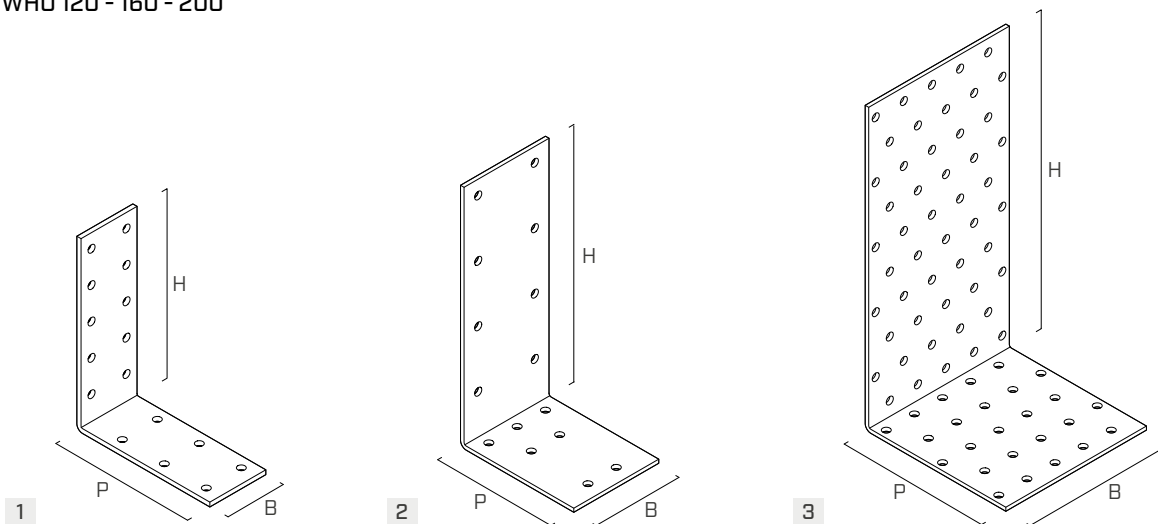
S250  
GALV


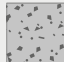


CODE	B	P	H	s	n Ø5	n <sub>v</sub> Ø5	n <sub>H</sub> Ø5			pcs
	[mm]	[mm]	[mm]	[mm]	pcs	pcs	pcs			
1 WHO4040	40	40	40	2,0	8	4	4	●	-	200
2 WHO4060	60	40	40	2,0	12	6	6	●	-	150
3 WHO6040	40	60	60	2,0	12	6	6	●	-	150

WHO 120 - 160 - 200

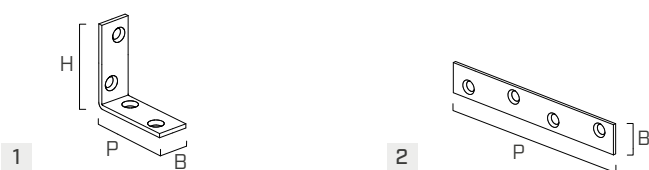
S250  
GALV



CODE	B [mm]	P [mm]	H [mm]	s [mm]	n Ø5 pcs	n <sub>V</sub> Ø5 pcs	n <sub>H</sub> Ø5 pcs			pcs
1 WHO12040	40	95	120	3,0	16	10	6	●	-	100
2 WHO16060	60	80	160	4,0	15	8	7	●	-	50
3 WHO200100	100	100	200	2,5	75	50	25	●	-	25

WHO A2 | AISI304 - LBV A2 | AISI304

A2  
AISI 304



CODE	B [mm]	P [mm]	H [mm]	s [mm]	n Ø4,5 pcs	pcs
1 WHOI1540	15	40	40	1,75	4	50
2 LBVI15100	15	100	-	1,75	4	50